



Model: **ERTAIN**



The price and features of the Ertain model sliding door can be adapted to suit each particular installation requirement. It has been designed for both high traffic applications such as large public areas (supermarkets, hotels, airports, hospitals) as well as for small and medium users (offices, chemists, restaurants, points of sale in general) Its most outstanding features are its noiseless operation, dynamic stability and quick and easy installation. The environmental features include sensor deactivation when the door is in the closed / locked mode.

# ERTAIN

## Standard motor driven

The **selector**, easy to program and allows the following tasks:

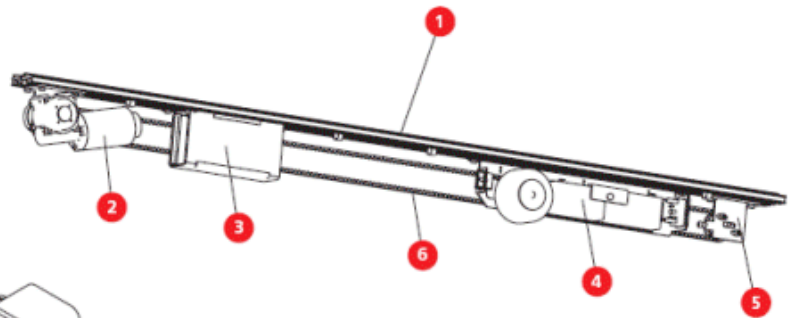
- ✓ Select the different operating modes.
- ✓ Configure the working parameters.
- ✓ Activation and deactivation of options.
- ✓ Malfunction diagnosis and error codes.
- ✓ Site selected code lockable



Four channel **remote control** permits the selection of basic operating modes.

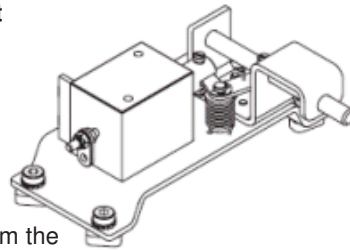
The Ertain System operators are based on the standard motorization concept that adapts to all door sizes. This system gives the capacity to make the most of the full length between pulleys for the displacement of the leaves. This way, a small operator like the Ertain 1450 (the number indicates its length) enables doors of most sizes to be motorized. The motorization unit incorporates the necessary devices for the door mechanism:

- 1 - Gear motor unit profile
- 2 - Reduction unit
- 3 - Electronic control board
- 4 - Power supply and emergency battery
- 5 - Tensor sub-assembly
- 6 - Continuous notched drive belt



## Easy to install

The leaf support unit is separate from the gear motor unit, making installation simple. Installation in sections eliminates the need to handle heavy weights.

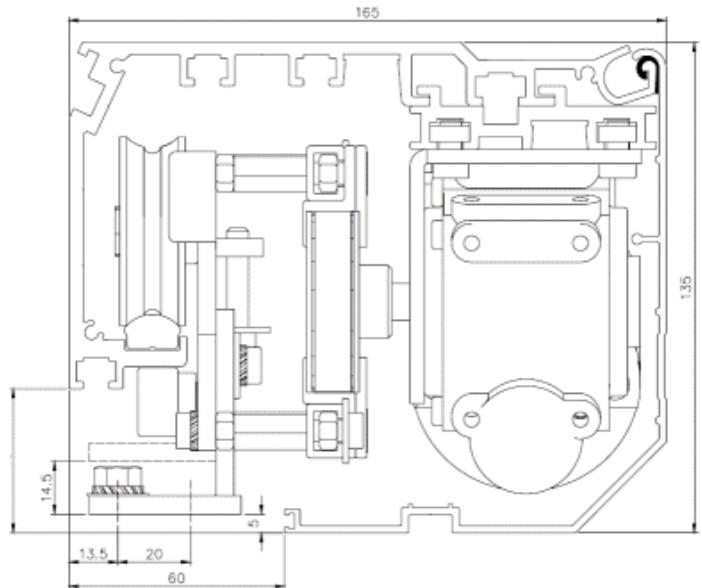


## Adaptability

The design of the carriages and the support profile make it possible to install all kinds of profiling with many different configurations of doors and screenwork

## Features

- ✓ Noiseless operation
- ✓ Dynamic stability
- ✓ Quick and easy installation
- ✓ Deactivation of sensors when the door is in the Closed / locked mode (saves energy at night and weekends)
- ✓ Stylish and sleek design
- ✓ Ability to be installed and interfaced with most common access control and alarm systems



## Characteristics

	ERTAIN 1450	ERTAIN 1850
Maximum passageng width	2300	3000
Maximum weight per leaf (2 leaves)	80 + 80 kg.	80 + 80 kg.
Maximum weight per leaf (1 leaf)	120 kg.	120 kg.
Maximum opening speed	0,7 m/s	0,7 m/s
Power supply	220 V (single phase)	220 V (single phase)
Consumption	100 W	100 W