

## OPERATORS & ACCESSORIES FOR AUTOMATIC DOORS



we open for you  
the doors

**ASN** LTD

opening doors for people

Access Solutions Northern Ltd

**ERREKA**  
AUTOMATION FOR GATES / AUTOMATIC DOORS

## ERREKA OPERATORS

### OPERATORS

UNIVERSAL model .....	4
ERTAIN model.....	6
TELESCOPIC model.....	8
EVOLUTION / SMART model .....	10

### ACCESSORIES

# UNIVERSAL model

The UNIVERSAL SYSTEM operator provides automation for top-of-the range sliding doors. Its main characteristics are flexibility and standardisation. Entries of different widths can be automated using one single operator, by means of an arms system. Its features adapt to the entry configurations of all types of buildings (supermarkets, hotels, airports, etc.).

### POWER AND DURABILITY

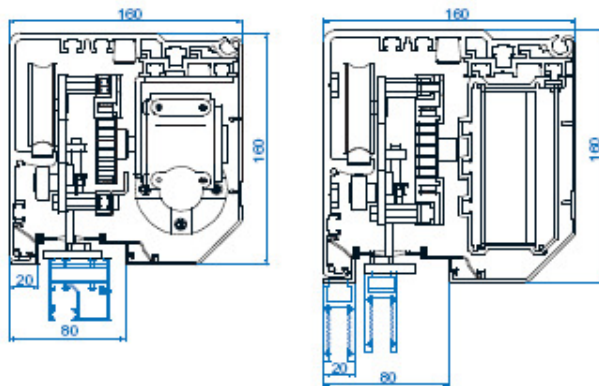
The incorporated gear motor provides power and enables quick acceleration, even for very heavy door leaves. It also makes the system extremely hard-wearing, as its gear reducer is able to absorb all the force and stress applied, meaning the pulley can be directly coupled to the shaft.

### ELEGANCE AND DESIGN

The operator has a compact, elegant design. The closing beads and cover brushes seal off and totally cover the mechanism, hiding the internal components from view even when the door is open and providing it with a stylish appearance.

### CHARACTERISTICS AND ADVANTAGES

- Modular
- Adaptable to all types of door frame
- The motor power provides a very high opening speed and acceleration.
- Electro-lock, locking both door leaves.  
With double end stop for inclusion of a gap opening system.
- Independent high wear-resistant aluminium alloy roller track.  
Fixed with adhesive foam tape to absorb carriage movement vibrations (reducing noise).
- All peripherals protected from overvoltage by resettable fuses.
- Battery-operated anti-panic opening system in case of power cuts.
- Motor power control system with automatic reversal for user safety.
- Can be connected to a PC for centralised door control or programming.



### TECHNICAL SPECIFICATIONS

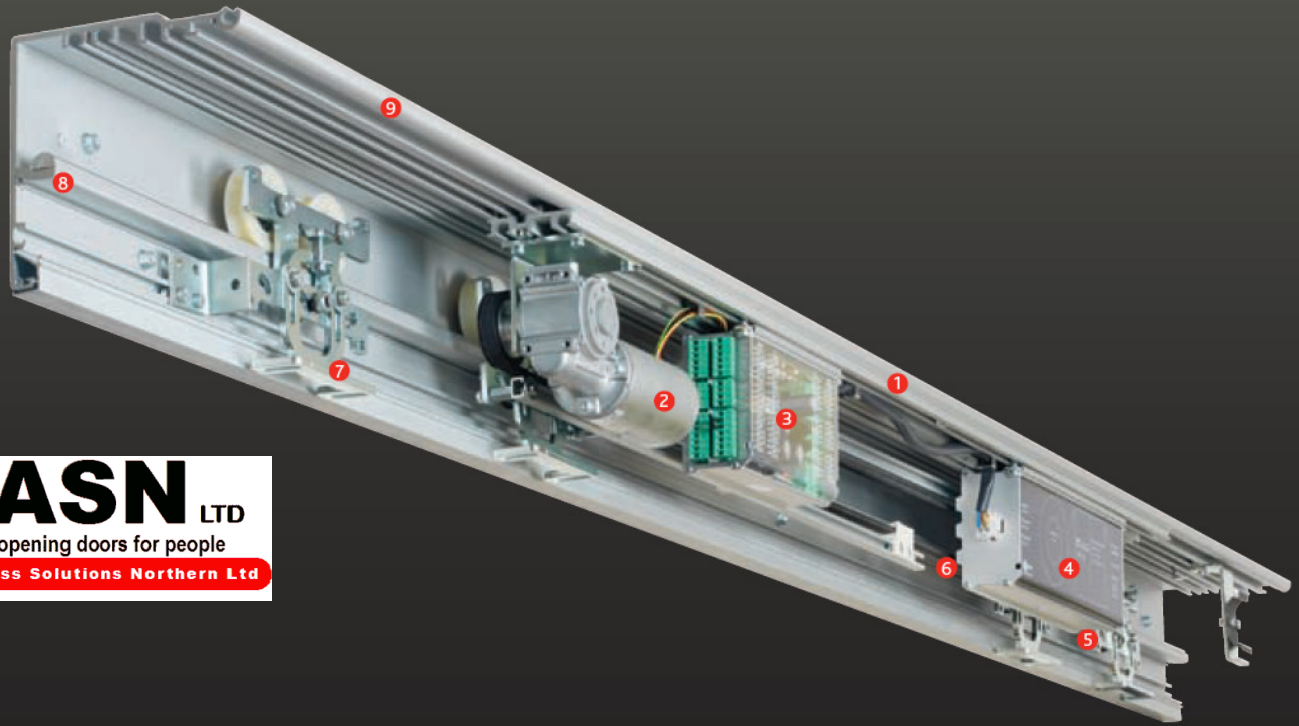
	1450 OPERATOR	1850 OPERATOR	3200 OPERATOR
Free passage (1 leaf)	750 - 1150	950 - 1550	700 - 3000
Free passage (2 leaves)	1100 - 2300	1100 - 3000	1000 - 3000
Minimum leaf width (1 leaf)	750	1000	600
Maximum weight per leaf (2 leaves)	120 + 120 Kg	120 + 120 Kg	120 + 120 Kg
Maximum weight per leaf (1 leaf)	160 Kg	160 Kg	160 Kg
Opening speed	0,4 m/s - 0,9 m/s	0,4 m/s - 0,9 m/s	0,4 m/s - 0,9 m/s
Closing speed	0,2 m/s - 0,6 m/s	0,2 m/s - 0,6 m/s	0,2 m/s - 0,6 m/s
Maximum closing power	150 N	150 N	150 N
Power supply	220 v (single-phase)	220 v (single-phase)	220 v (single-phase)
Maximum consumption	200 w	200 w	200 w
Maximum leaf thickness	55 mm	55 mm	55 mm
Casing dimensions	160 x 160	160 x 160	160 x 160

### DOOR FRAME TYPES AVAILABLE

PANIC-BREAKOUT	COMPACT	SUMLINE	CLIP	CLAMP
----------------	---------	---------	------	-------

Web: [www.asndoors.co.uk](http://www.asndoors.co.uk) Tel 01274426467 email: [erreka@asndoors.co.uk](mailto:erreka@asndoors.co.uk)





#### STANDARD MOTORISATION

- 1 Motorisation profile
- 2 Gear motor
- 3 Electronic board
- 4 Power source and battery
- 5 Tensioning pulley sub-unit
- 6 Endless notched belt
- 7 Carriages
- 8 Roller track
- 9 Box section

Web: [www.asndoors.co.uk](http://www.asndoors.co.uk): Tel 01274426467 email: [erreka@asndoors.co.uk](mailto:erreka@asndoors.co.uk)

**we open** for you  
the doors



# ERTAIN model

The price and features of the ERTAIN model sliding door are adaptable to different installation requirements. It is designed for heavy traffic situations, both for large premises (supermarkets, airports, hospitals, etc.) and small and medium-sized users (offices, chemists, restaurants, points of sale in general, etc.) Its main features are its silent opening and closing movement, its dynamic stability and its quick, easy installation.

### EASY INSTALLATION

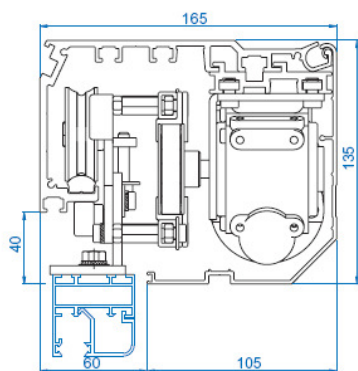
Installation is made easy as the leaf support unit is separate from the motor unit. Part-by-part installation means the whole door can be installed by one person, as no heavy weights need to be handled.

### ADAPTABILITY

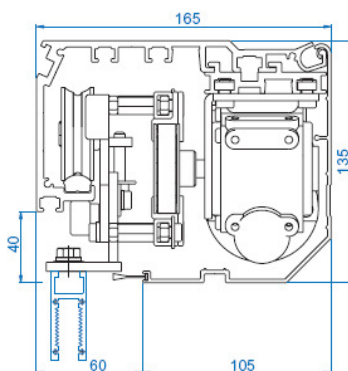
The design of the carriages and the support section mean all types of door frames can be installed with all types of configurations.

### CHARACTERISTICS AND ADVANTAGES

- Modular.
- Adaptable to all types of door frames.
- System for quick installation of the operator on the box section using special nuts.
- Independent high wear-resistant aluminium alloy roller track.
- Fixed with adhesive foam tape to absorb carriage movement vibrations (reducing noise).
- Motor power control system with automatic reversal for user safety.
- Battery-operated anti-panic opening system in case of power cuts.
- The door's simple mechanism provides easy maintenance.
- Can be connected to a PC for centralised door control or programming.



Compact door frame



Clip door frame

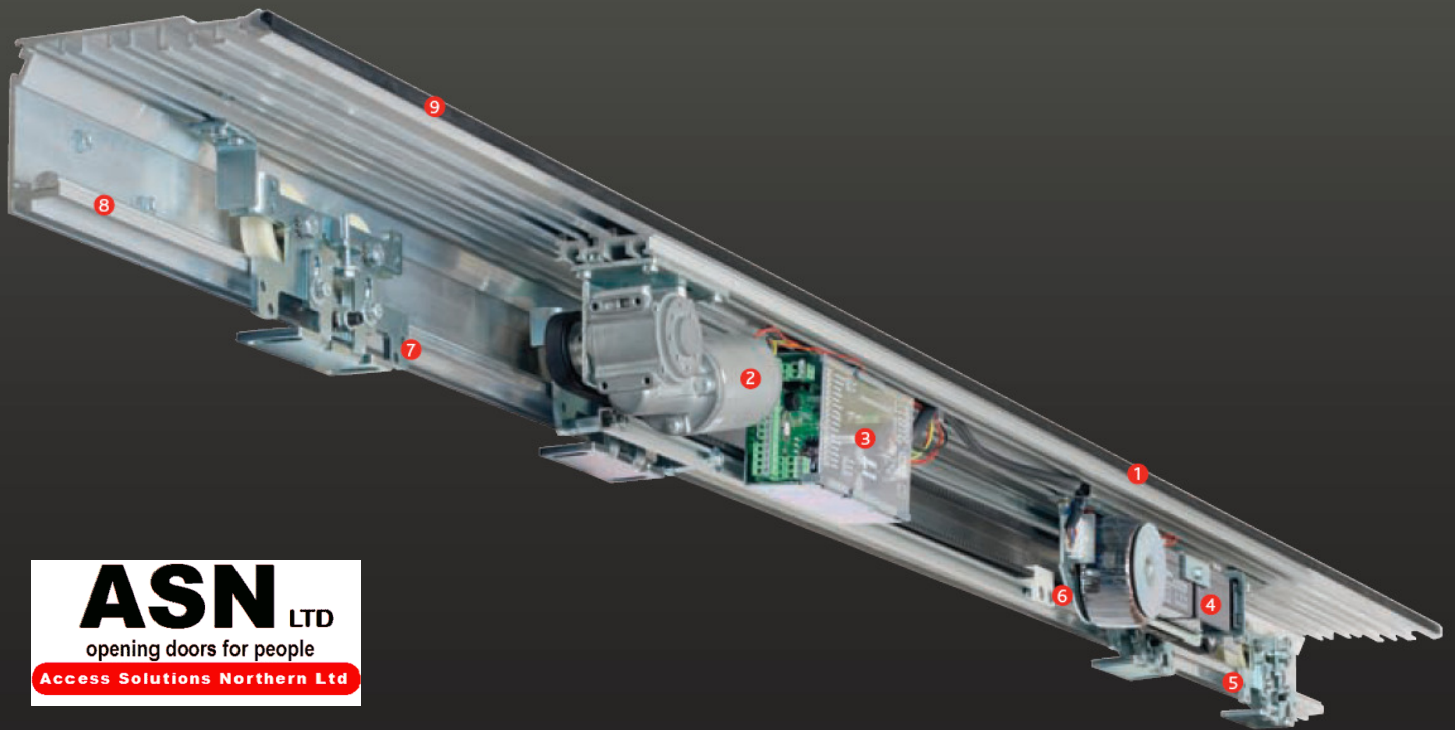
### TECHNICAL SPECIFICATIONS

	OPERATOR 1450	OPERATOR 1850	OPERATOR 3200
Free passage (1 leaf)	750 - 1150	950 - 1550	700 - 3000
Free passage (2 leaves)	1100 - 2300	1100 - 3000	1000 - 3000
Maximum weight per leaf (2 leaves)	80 + 80 kg	80 + 80 kg	80 + 80 kg
Maximum weight per leaf (1 leaf)	120 kg	120 kg	120 kg
Maximum opening speed	0,7 m/s	0,7 m/s	0,7 m/s
Casing dimensions	135 x 165	135 x 165	135 x 165
Maximum closing speed	0,5 m/s	0,5 m/s	0,5 m/s
Maximum leaf thickness	50 mm	50 mm	50 mm
Power supply	220 v (single-phase)	220 v (single-phase)	220 v (single-phase)
Maximum consumption	100 w	100 w	100 w

### DOOR FRAME TYPES AVAILABLE

PANIC-BREAKOUT	COMPACT	SLIMLINE	CLIP	CLAMP
----------------	---------	----------	------	-------





#### STANDARD MOTORISATION

- 1 Motorisation profile
- 2 Gear motor
- 3 Electronic board
- 4 Power source and battery
- 5 Tensioning pulley sub-unit
- 6 Endless notched belt
- 7 Carriages
- 8 Roller track
- 9 Box section

Web: [www.asndoors.co.uk](http://www.asndoors.co.uk): Tel 01274426467 email: [erreka@asndoors.co.uk](mailto:erreka@asndoors.co.uk)

we open for you  
the doors



## TELESCOPIC model

Especially suitable for small spaces where a reasonable opening width is required and there is insufficient space to install a sliding door leaving the desired gap. The two-leaf doors are recommendable for shops, interior doors in corridors, offices, etc. The four-leaf doors provide very wide access and are normally fitted in car showrooms, shops, hotels, etc.

### VERSATILITY

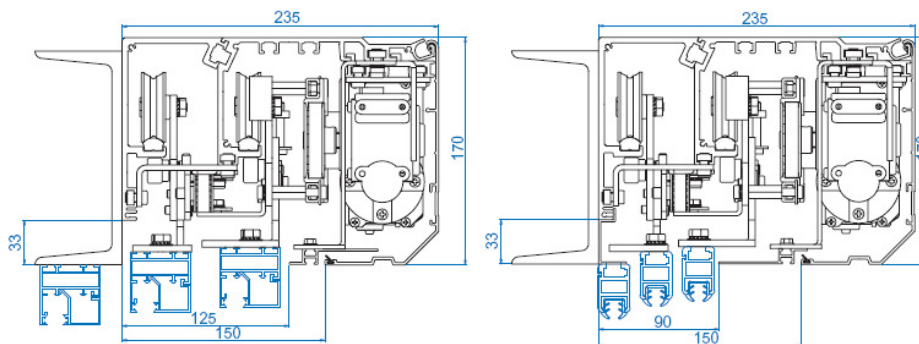
The TELESCOPIC SYSTEM operators consist of units common to the Universal and the Ertain operators. The motorisation unit is Unisys type and the box section is the one used on the Ertain, and so most of the components are standardised, meaning this model is modular and reasonably-priced.

### NUMEROUS FEATURES

As regards functions, this operator includes all the features of the Universal operator. It also offers a wide range of installation options with different types of door frame.

### CHARACTERISTICS AND ADVANTAGES

- Modular.
- System for quick installation of the operator on the box section using special nuts.
- Speed division system using a double pulley with a neoprene notched belt.
- Independent high wear-resistant aluminium alloy roller track.
- Fixed with adhesive foam tape to absorb carriage movement vibrations (reducing noise).
- All peripherals protected from overvoltage and short-circuiting by resettable fuses.
- Battery-operated anti-panic opening system in case of power cuts.
- Motor power control system with automatic reversal for user safety.
- A double door can be installed with an exclusive system.



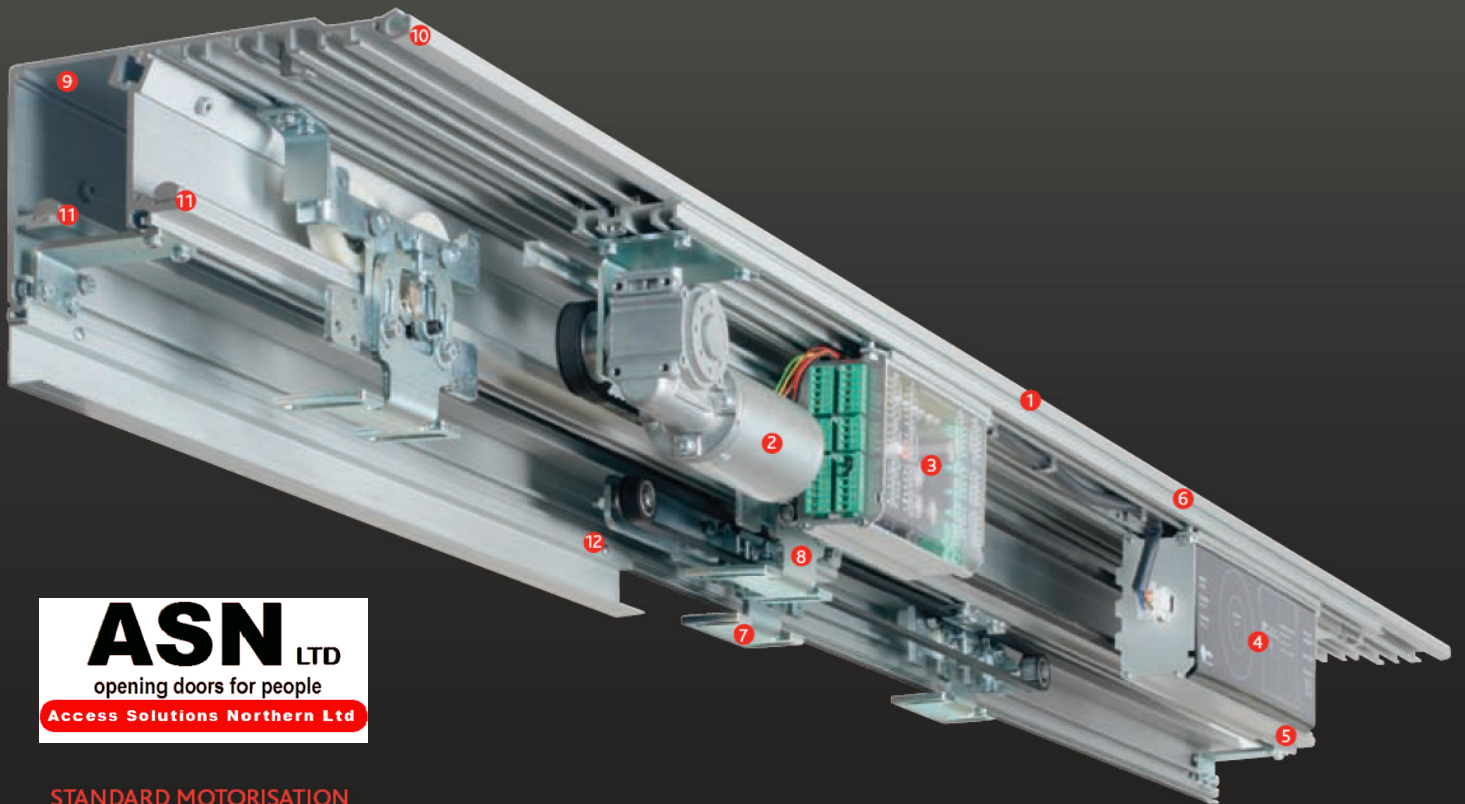
### TECHNICAL SPECIFICATIONS

	OPERATOR 1450	OPERATOR 1850	OPERATOR 3200
Free passage (4 leaves)	1800 - 2400	1800 - 3200	3200 - 3800
Free passage (2 leaves)	900 - 1200	1150 - 1600	1600 - 3000
Maximum weight per leaf (4 leaves)	60 Kg.	60 Kg.	60 Kg.
Maximum weight per leaf (2 leaves)	100 Kg.	100 Kg.	100 Kg.
Opening speed	0,4 - 0,9 m/s	0,4 - 0,9 m/s	0,4 - 0,9 m/s
Closing speed	0,2 - 0,5 m/s	0,2 - 0,5 m/s	0,2 - 0,5 m/s
Maximum closing power	150 N	150 N	150 N
Casing dimensions	170 x 235	170 x 235	170 x 235
Power supply	220 v (50 hz)	220 v (50 hz)	220 v (50 hz)
Consumption	200 w	200 w	200 w

### DOOR FRAME TYPES AVAILABLE

COMPACT	SLIMLINE	CLIP
Web: <a href="http://www.asndoors.co.uk">www.asndoors.co.uk</a> : Tel 01274426467 email: <a href="mailto:erreka@asndoors.co.uk">erreka@asndoors.co.uk</a>		





**ASN** LTD  
 opening doors for people  
 Access Solutions Northern Ltd

**STANDARD MOTORISATION**

- 1 Motorisation profile
- 2 Gear motor
- 3 Electronic board
- 4 Power source and battery
- 5 Tensioning pulley sub-unit
- 6 Endless notched belt
- 7 Inner carriage
- 8 Outer carriage
- 9 Inner box section
- 10 Outer box section
- 11 Roller track
- 12 Speed division system

Web: [www.asndoors.co.uk](http://www.asndoors.co.uk) Tel 01274426467 email: [erreka@asndoors.co.uk](mailto:erreka@asndoors.co.uk)

**we open** for you  
 the doors





# EVOLUTION / SMART model

The EVOLUTION and SMART models are electro-mechanical operators for pedestrian swing doors. They may be used to automate already-existing swing doors, or in new installations. Their main characteristics are their durability and silent movement. They may be used for both interiors and exteriors and for double or single doors, and they may be mounted on either of the two sides, as their design makes them ideal for integration in any environment.

These models have numerous applications, particularly as private or public access points for disabled persons or premises with heavy traffic and limited space. They also provide excellent impermeability and consequently high energy efficiency, and they have a large and varied range of accessories geared to user safety.

The EVOLUTION and SMART operators have a wide range of functions that allow them to be adapted to each client's particular requirements. In addition to the habitual "Push & Go" doors, exit-only doors, etc., they are also equipped with features such as a wheelchair courtesy function or an automatic opening and closing power increase in case of wind. It also includes the possibility of increasing the opening hold time in heavy traffic situations, or of simply disabling automatic operation and using the door as a manual swing door when necessary.

## INSTALLATION

The EVOLUTION and SMART operators are easy to install. There are two installation modes:

- **Articulated arm** (opening in the opposite direction to the operator position). A minimum height of 120 mm is required for this installation mode.
- **Rigid arm** (opening in the same direction as the operator position). A minimum lintel height of 150 mm is required for this installation mode.

For low lintels, the operator may be fitted to the leaf itself. For double leaf swing doors, the two operators are connected by means of a cable, fitted to synchronise the "master-slave" system. A case with the same design as the operator to cover the gap between the two operators is also available.

## VERSATILITY

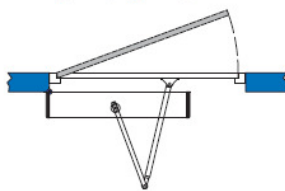
There are two versions of the EVOLUTION system:

- **EVOLUTION B3:** electro-mechanical operator with motorised opening and closing.
- **EVOLUTION B1:** electro-mechanical operator with motorised opening and spring closing. In cases where the spring is not sufficient to close the door, due to wind or door misalignment, the motor can act as a back-up to the spring.

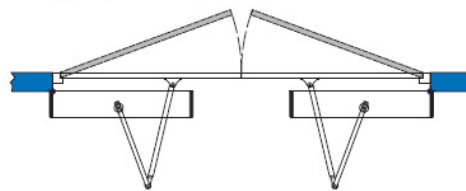
There is one version of the SMART system:

- **SMART B1:** electro-mechanical operator with motorised opening and spring closing.

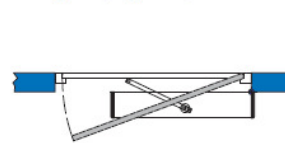
Pushing arm (single leaf)



Pushing arm (double leaf)



Pulling arm (single leaf)



## TECHNICAL SPECIFICATIONS

	EVOLUTION	SMART
Power supply	230 vac	230 vac - 110 vac
Maximum weight per leaf	250 kg	125 kg
Maximum leaf width	1400 mm	1200 mm
Maximum opening angle	95°	95°
Casing dimensions	106 h x 120 d x 550 l	106 h x 120 d x 550 l
Power supply	75 w	50 w
Impermeability (IP)	IP22	IP22

Web: [www.asndoors.co.uk](http://www.asndoors.co.uk) Tel 01274426467 email: [errek@asndoors.co.uk](mailto:errek@asndoors.co.uk)





**ASN** LTD

opening doors for people

Access Solutions Northern Ltd

#### STANDARD MOTORISATION

- 1 Gear motor
- 2 Control board
- 3 Power board
- 4 Transformer
- 5 Torsion spring
- 6 Pulley reducer system
- 7 Box section

Web: [www.asndoors.co.uk](http://www.asndoors.co.uk) Tel 01274426467 email: [erreka@asndoors.co.uk](mailto:erreka@asndoors.co.uk)

we open for you  
the doors



## ACCESSORIES

### Universal / Ertain Selector System



Enables different operating modes to be selected (door open, door closed, exit only or two-way traffic, partial opening, manual opening, gap opening, etc.), parameter adjustment (opening and closing speed, opening hold time, acceleration ramps, etc.) and failure diagnosis.

### Evolution / Smart function selector



Function selector for swing door operator with integrated anti-handling blocking key and protective front cover. It enables adjustment of all the operator parameters and functions. Selection between 5 different operating modes.

### Card reader



Access control device limiting access to staff with an authorised card.

### Proximity button



An actuator device that emits an opening signal when a person passes their hand close to it, without needing to actually touch it. Suitable for installations requiring a high degree of hygiene such as hospitals or laboratories, where it is important to prevent bacteria from accumulating due to contact with hands. Hard-wearing digital actuator device with a stylish stainless steel finish. Recess-mounted and surface options.

### Stainless steel button



Hard-wearing digital actuator device with a stylish stainless steel finish. Recess and surface-mounted options.

### Fingerprint controller



Access control device with a digital fingerprint reader limiting access to authorised persons. In addition to fingerprint reading, it also enables inclusion of a double safety system using a numerical code.

### Number keypad



Access control device limiting access by means of a numerical code.

### External key



Key switch enabling the door to be closed from outside, consisting of a contact cylinder fixed to a black anodised aluminium plate.

### Transponder



Proximity reader granting access to persons by means of a transponder signal transmitter. Keyring format transmitter.

### Microwave radar



High-reliability, high-precision and high-stability movement controlled by micro processor. It can be fitted at a height of up to 3 metres. It detects a minimum speed of 5 cm/sec and it has an adjustable maximum detection area of 4 metres in length and up to 3 metres in width, with the door remaining open between 0.5 and 13 seconds after detection (also adjustable).

### Elbow-operated panel



Surface mount stainless steel push to exit with disabled logo and "push to open" engraved. Optional: remote control to make installation easier.

### Active infra-red sensor



New-generation infra-red radiation detector. Specially designed to minimise "ghost" operation caused by adverse environments (marble floors, fluorescent lighting, etc.). It can be fitted at heights of up to 3 metres. It has an adjustable maximum detection area of 2.5 metres in length and 3.5 metres in width, with the door remaining open for 0.3 seconds after detection.

### Active safety sensor



Specially designed for swing door safety. Active infra-red technology using a master-slave system. It detects presence at all times, even without movement, and has an extremely rapid response time (less than 50 ms.) The detection distance, door opening hold time, lighting options, etc. are all adjustable. It is not sensitive to colour or ground reflectivity variations.

### Sensor with activation and security barrier



Movement detector with double active infra-red security barrier. Easy installation. Includes both detection and security functions (no photocell needs to be fitted).

### Ertain System electro-block



Blocking device consisting of a monostable electromagnet and pin blocking one of the leaves.

### Universal System electro-lock



This consists of a monostable electromagnet/spring that blocks the two leaves. It includes a safety micro switch. It can be unblocked manually by means of a handle in the box section itself or an external unblocking lever.

### Activation kit



Device consisting of an infra-red presence detector plus a Push sticker. Particularly suitable for installations requiring a short sensor detection scope, preventing the door from opening when people walk past it. The sensor is directed towards the push sticker location, and it will therefore only detect presence when a person moves their hand towards the push sticker.

### Remote control



Radio transmitter with a plug-in receiver panel. Enables selection of 3 door operating modes: Automatic, door open or door closed.

### Photocells



Infra-red barrier consisting of a cylindrical transmitter and receiver with integrated amplification. Designed for security for sliding and telescopic doors using presence detection (by switching). Its compact size facilitates installation in any door section. Protected against ambient light interference and erroneous short-duration connections.

## ERREKA CONTROL SYSTEM

At ERREKA Puertas Automáticas we are concerned to adapt to our customers' needs, looking to provide the end user with added value in automated access management. For this reason, and as a result of our innovation process - a strategic key for ERREKA - we offer the ERREKA Control System, an automatic door management system enabling up to 100 automatic doors to be controlled from a PC.





**ERREKA AUTOMATIC DOORS**  
(MATZ - ERREKA, S.COOP.)

**FACTORY AND CENTRAL OFFICES**

Pol. Ind. San Juan - B. San Juan, 93  
20570 Bergara (Gipuzkoa)  
España - Spain  
Tel. (+34) 943 76 99 00  
Fax (+34) 943 76 99 01  
automaticdoors@matz-errika.es

**EXPORTATION**

Tel. (+34) 943 76 99 00  
export.doors@errika.com

**T.A.S.**

Tel. (+34) 902 50 16 94  
service@errika.com

**NATIONAL OFFICES**

**ERREKA NORTE**  
Pol. Ind. San Juan - B. San Juan, 93  
20570 Bergara (Gipuzkoa)  
Tel. (+34) 943 76 99 00  
Fax (+34) 943 76 99 01  
puertas.norte@errika.com

**ERREKA CENTRO**  
Físicas, 62  
Polígono Industrial Urtinsa II  
28923 Alcorcón (Madrid)  
Tel. 91 643 50 60  
Fax 91 643 50 94  
puertas.centro@errika.com

**ERREKA LEVANTE**  
Pol. Ind. Oeste, Calle Venezuela  
Parcela 1 - 12  
30169 San Ginés (Murcia)  
Tel. 968 891 516  
Fax 968 804 166  
puertas.levante@errika.com

**ERREKA SEVILLA**  
Renio, 3 Pol. Ind. Calonge  
41007 Sevilla  
Tel. 902 339 922  
Fax 954 359 241  
puertas.sur@errika.com

**ERREKA CATALUNYA**  
Avda. Puig dels Tudons, 3, nau 36  
Pol. Ind. Santiga  
08210 Barberà del Vallès (Barcelona)  
Tel. 93 729 07 77  
Fax 93 729 07 93  
puertas.catalunya@errika.com

**ERREKA NOROESTE**  
Menendez Pelayo, 7, bajo, derecha  
36202 Vigo (Pontevedra)  
Tel. 986 205 102  
Fax 986 296 602  
puertas.noroeste@errika.com

**ERREKA VALENCIA**  
Ingeniero Joaquín Benlloch, 79, bajo  
46026 Valencia  
Tel. 963 332 046  
Fax 963 353 850  
puertas.sureste@errika.com

**ERREKA CANARIAS**  
Ctra. General del Sobradillo, 65  
38108 El Sobradillo (Santa Cruz de Tenerife)  
Tel. 922 625 569  
Fax 922 537 664  
puertas.canarias@errika.com

**INTERNATIONAL OFFICES**

**ERREKA MEXICO**  
Misión de Bucareli N° 8  
P.I. Bernardo Quintana  
76249 El Marques (Queretaro) - Mexico  
Tel. (+ 52) 442 221 60 78  
Fax (+ 52) 442 221 60 80  
puertas.mexico@errika.com

**ERREKA D.F.**  
Ramón Fabié #185 Int. PB-5  
Esq. Con Hernández y Dávalos  
Col. Ampliación Asturias  
06890 México D.F.  
Tel. (55) 5 741 8492  
puertas.mexico@errika.com

**ERREKA PORTUGAL**  
Centro Empresarial Torres de Lisboa  
Rua Tomás da Fonseca, Torre G - 1º piso  
1600-209 Lisboa  
Tel. (+ 351) 21 723 07 90  
Fax (+ 351) 21 723 06 75  
portas.portugal@errika.com

**ACCESS SOLUTIONS NORTHERN LIMITED**  
Unit 29 / 30  
Royds Enterprise Park  
Future Fields  
Bradford  
BD6 3EW  
Tel. 01274426467  
Fax. 01274605488  
errika@asnddoors.co.uk  
www.asnddoors.co.uk

